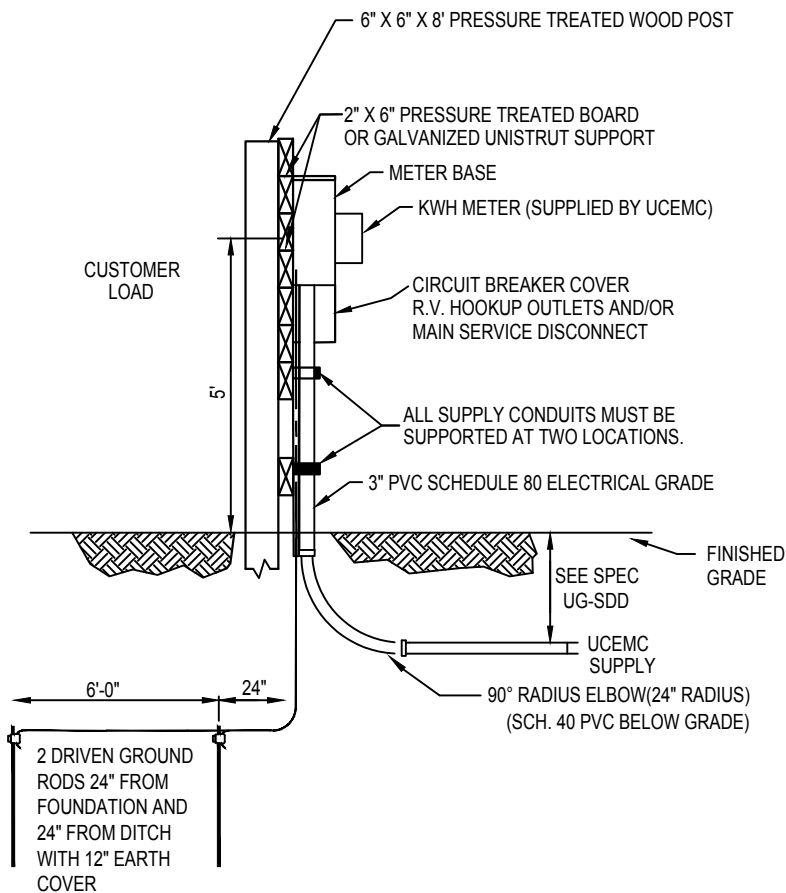
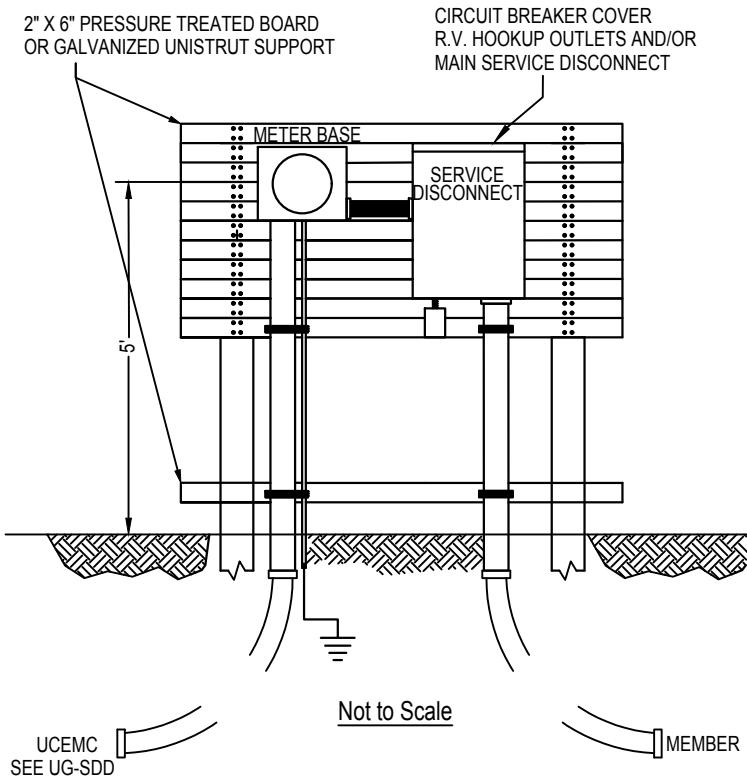


GENERAL NOTES:

1. There shall be conduit straps to support the conduit attached to the two pole and cross support structure. The conduit shall be size 3" Schedule 80 electrical grade PVC.
2. Service entrance conductors are to be installed by UCEMC.
3. Ground wires shall be unspliced and installed in accordance with the most current version of the NEC.
4. The meter base shall be flush mounted on the cross boards using $\frac{1}{4}$ " stainless steel bolts or lag screws. The meter base will be located where it will be easily accessible with no obstructions for UCEMC to access without the need to move objects or gain access from the home owner.
5. When supplying power to a mobile home, locate the pedestal within 30' of the structure.
6. UCEMC reserves the right not to install a service that does not adhere to the specifications in this document.
7. The switch box shown is for example only, representing a service disconnecting means. All possible equipment configurations are not shown.
8. The meter base and pedestal should be positioned such that it is pointed toward the driveway or street and away from any large obstructions that could enclose the meter base.
9. All material shown is to be supplied and installed by the member or the member's electrician unless otherwise noted.



OTHER NOTES:

1. Perform all work in accordance with the most current version of the NEC.
2. The meter base shall be flush and securely mounted on a 2"x6" pressure treated support or unistrut.
3. See Standard UG-SDD for the secondary conduit ditch detail.